

Elhand HF Compact Passive Harmonic Filter



Approvals

CE RoHS

Technical data

EF3H

Rated power	2,2-250 kW
Rated voltage	380-690 V ±10%
Rated frequency	50 Hz lub 60 Hz
THDi	<10%
Overload capability	110% Pn (ciągła) 160% Pn 1 min/h (chwilowa)
Capacitive power consumption at no load	≤20% Pn
Max ambient temperature	40°C – wyk. lądowe 45°C – wyk. morskie ≥50°C – wyk. specjalne
Winding material	Miedź, Aluminium
Standard equipment	Czujnik temperatury NC, wentylatory DC
Mounting	Ścienne
Degree of protection	IP20 (standard) IP21 (opcja)
Standards compatibility	PN-EN 60076-6

Function

The new family of harmonic filters was created in response to customer needs. New mechanical design, efficient cooling, lower weight and compact dimensions, all at a competitive price - these are the features of the

Elhand EF3H Compact filters. Our new harmonic filters are the perfect solution for anyone looking for reliable and effective devices to improve the quality of electrical energy.

Benefits

- Lower input current RMS value.
- Lower power losses.
- Increased energy quality.
- Extended lifetime and protection of another devices installed in the system.
- Very low capacitive input current in no load state.

Application

- Electric drives.
- 6-pulse rectifiers.
- Energy chargers.
- Systems sensitive to energy quality.
- Industry.
- Marine equipment.

Dimensions

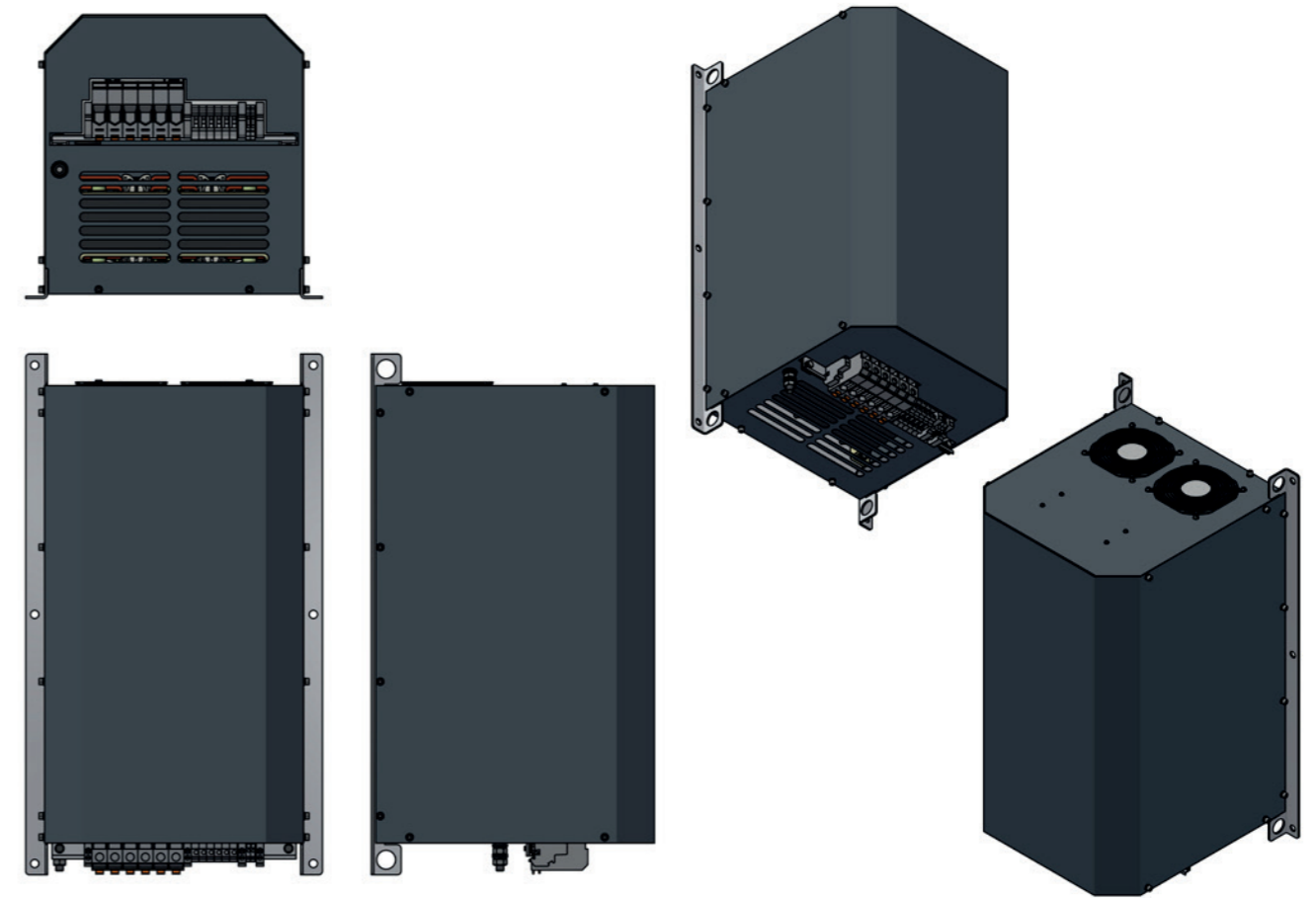
380-690 V, 50-60 Hz **IP20**

No.	Type of filter	Power of drive [kVA]	L [mm]	B [mm]	H [mm]	d [mm]	e [mm]	f [mm]	Weight [kg]
1	EF3H-2,2kW	2,2							
2	EF3H-3kW	3							
3	EF3H-4kW	4							
4	EF3H-5,5kW	5,5							
5	EF3H-7,5kW	7,5							
6	EF3H-11kW	11							
7	EF3H-15kW	15							
8	EF3H-18,5kW	18,5							
9	EF3H-22kW	22							
10	EF3H-30kW	30							
11	EF3H-37kW	37							
12	EF3H-45kW	45							
13	EF3H-55kW	55							
14	EF3H-75kW	75							
15	EF3H-90kW	90							
16	EF3H-110kW	110							
17	EF3H-132kW	132							
18	EF3H-160kW	160							
19	EF3H-200kW	200							
20	EF3H-250kW	250							

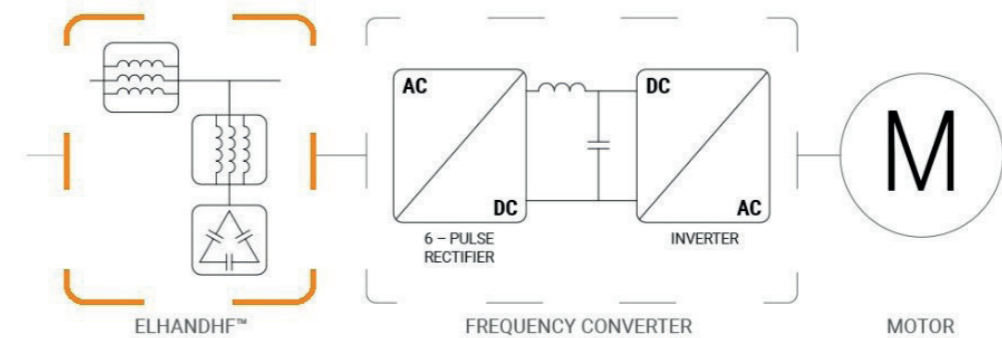
COMING SOON

Manufacturer reserves the right to make changes resulting from the continuous development of products offered

Drawings



Typical application schematic diagram



Product code

E	F	3	H	250 kW	380-415V	50Hz	T40H	AF	THDi<10%	AL	IP20
Manufacturer symbol	Instrument type	Number of phases	Application type	Rated power	Rated supply voltage	Rated frequency	Insulation class	Cooling: AF – air forced Bkank if AN	THDi Blank if THDi<5%	Winding material Blank if copper	Protection degree Blank if IP00

Special execution

Products with parameters exceeding the catalog card can be made upon prior contact.

Contact



ELHAND Transformatory Sp. z o.o.
ul. Klonowa 50; 42-700 Lubliniec
Śląskie; Poland



+48 (34) 34 73 100
fax +48 (34) 34 70 207



info@elhand.pl
www.elhand.com



Linked In
/elhand-transformatory



YouTube
@ElhandTransformatory



Facebook
/ELHANDTransformatory

